

Product Information

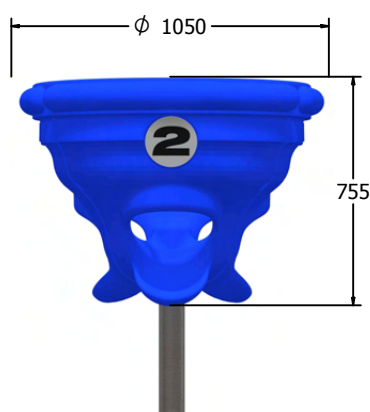
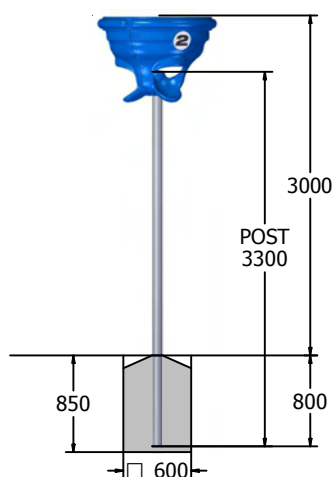
FIHOTSHOT - Hot Shot Ball Game



Numbered Chutes



Durable Rotomoulded Chute with Galvanized Steel Post



Fun & energetic ball game
Throw the ball in and guess the exit

Age Range: 4+ Years
Largest Part: Post - Dia 89mm x 3300mm Long
Heaviest Part: Post - 22kg, Chute - 18.5 kg
Total Weight: Approx. 40.5kg
Surfacing : N/A

Designed to
British & European
Standard BS EN 1176

Material: **Rotomould** - Polyethylene with smooth finish
Post - Galvanized Mild Steel

Colour Choices: **Rotomould** - Blue as standard, other colours are special order
Post - Self colour as standard