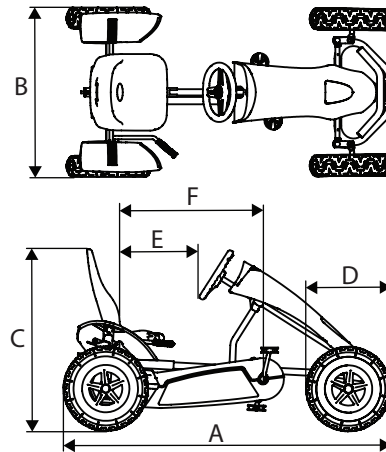




07.10.05.xx

EN

## BERG Black Edition BFR

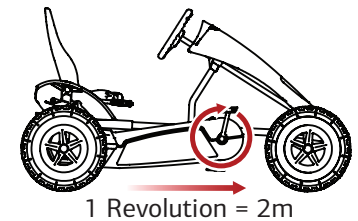
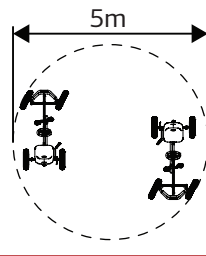


Size in cm:

|   |                      |
|---|----------------------|
| A | 155,5                |
| B | 80                   |
| C | 86                   |
| D | 40                   |
| E | Min: ±23<br>Max: ±54 |
| F | Min: ±50<br>Max: ±81 |



5 - 99



### Specifications:

Weight: 43,6kg

Max weight user: 100kg

Max length user: 2m

|                  |  |
|------------------|--|
| Box 1<br>(theme) | Dimensions: 100 x 58 x 31,5cm<br>Weight: 22,7kg<br>12 on Block pallet (1,2 x 1m) |
|------------------|--|

|                  |  |
|------------------|--|
| Box 2<br>(Frame) | Dimensions: 100 x 58 x 41,5cm<br>Weight: 29,5kg<br>10 on Block pallet (1,2 x 1m) |
|------------------|--|

Tire type: Tubeless

Cardboard in packaging: 7,4kg

Synthetic material in packaging: 1kg

Hardboard in packaging: 0kg

Parental supervision required: YES

EAN-code: 8715839050981

### Compatible with the following accessories:

- 18.08.00 - BERG Large Trailer
- 18.25.14 - Multi-Purpose Trailer (+ add-ons)
- 15.37.11 - Passenger seat Black Edition
- 15.63.11 - Roll bar Off-Road
- 15.60.40 - Front Lift
- 15.60.30 - Rear Lift (Art. Nr. 15.60.30.03 or higher)
- 15.60.50 - Lift Bucket \*
- 15.60.60 - Bulldozer Blade \*
- 15.60.55 - Pallet Fork \*
- 15.63.40 - BERG Tractor Exhaust
- 15.03.32 - Front mudguards Black
- 15.63.41 - BERG heavy duty Brake pads
- 15.63.42 - BERG License plate kit
- 50.99.42 - Flag (excl. flag pole)
- 56.09.03 - Flag Pole
- 15.24.70 - Flashing Light On Pole
- 16.24.20 - Flashing light blue cover
- 15.24.80 - Flashing light for Roll Bar
- 15.99.00 - Go-Kart cover
- 15.24.10 - Siren
- 15.20.01 - LED Headlight
- 15.23.12 - Onboard Computer
- 15.20.45 - Light set
- 12.20.20 - LED Light (red)
- 15.20.10 - LED Light (white)
- 15.24.02 - Two Tone Horn

\*Add-on for Front lift or Rear lift



With its outstanding design elements the Black Edition is a special car for unique children. The sturdy, large tyres can handle every surface. The dark color enables you to have undercover adventures. With the aerodynamic spoiler and air filled tyres, you are quicker than everyone else. So no one can catch you! Thanks to roll bearings and ball bearing steering mechanism, you make almost no noise. Nobody will hear you during your special missions.

The world is filled with adventures, discover them with this car. Do you like to do it together with your friends? Add the trailer or passenger seat. Let's discover the world!

#### USP's

- Equipped with the unique BFR hub, incorporating a back pedal brake, together with forward and reverse pedaling. For maximum safety forward and reverse are automatic with no need for a lever or switch.
- The freewheel means that the pedals do not turn when the kart is moving and you stop pedaling, giving a very safe ride.
- Many years of driving pleasure, from age 5 until even adult years.
- Adjustable seat can be set in 6 different positions.
- The wheels run fast and smooth due to the roll-bearing wheels. You can drive for hours without getting tired.
- The double ball-bearing steering mechanism ensures accurate steering and easy maneuverability.
- Perfect road holding and stability thanks to the swing axle.
- Extra grip and comfort due to air filled tyres.
- The easily accessible chain tensioner system allows you to tension the front chain quick and easy for optimal performance.
- The chain guard is designed to give easy access to the chains and hub within, to more easily perform maintenance
- Front wheel alignment can be easily adjusted by the adjustable steering bars.
- Parking brake for additional safety.
- CE certified.
- Can be stored upright, which is ideal if storage space is limited.
- Towbar comes as standard.
- BERG offers a range of accessories for additional playing fun.. Examples are: a passenger seat, trailer, front and rear lift units, headlights and much more!
- Equipped with sturdy and nice looking tyres
- An aerodynamic spoiler and fenders

We have adjusted our go-karts so that most users will be able to pedal easy and comfortably. However, if you feel that it is too heavy to pedal your go-kart, we offer the possibility to purchase a different crank-set, which will makes pedaling easier.